

Washer extractor

Features and benefits

- Meets IEC and ISO international standards.
- Suitable for testing washing effects of detergents and chemicals and for textile quality control.
- Suspended drum construction allows a high extraction force.

No foundation required.

- Small space between outer/inner drum for efficient use of water and detergent.

- Dual water control of level and volume.
 - Built in scale for precise volume control, accuracy:
 - level control +/- 1 litre/bath
 - volume control +/- 0.2 litre/bath
 - Equipped with Clarus Control® - a fully programmable electronic timer.
 - Frequency controlled motor system for flexibility in programming and precise speed.
 - Test tap for water samples.
 - Stainless steel drum assembly, front and top panel.
- Galvanized powder painted side panels.

Main options

- WPM (Wash Program Manager) PC programming kit in Windows.
- Extra program memory cards.

Standards

ISO 9001 and ISO 14001 and approved IP 44.



Main specifications

Rated capacity

filling factor 1:10 - 6.1 kg

filling factor 1:13 - 4.7 kg

Drum, volume

61 litre

Diameter

520 mm

Extraction

1100 rpm

G-factor

350

Heating electricity

5.4 kW

Electrical connections

Heating El.

Voltage

230V 1AC 50 Hz - 5,7 kW (30 A)

230V 3AC 50 Hz - 5,7 kW (16 A)

208-240V 3AC 60 Hz - 5,7 kW (16 A)

400-415V 3N AC 50 Hz - 5,7 kW (10 A)

other on request

Water and steam connection

Water valves - 20 DN

Water pressure - 150-400 kPa

Capacity at 300 kPa - 27 l/min

Drain valve \varnothing - 50/57 mm

Draining capacity - 150 l/min

Steam valve - 15DN

Steam pressure - 300-600 kPa

Liquid detergent supplies - 5

Floor requirements

Frequency of the dynamic force - 18,3 Hz

Max floor load at extraction - 1,6 +/- 0,5 kN

Sound levels

Airborne sound level - 71 dB(A)

Shipping data

Weight net - 184 kg

crated - 203 kg

Shipping volume - 0,85 m³

Accessories

Hose connection kit for water

Dimensions in mm

A Width - 720,

B Depth - 690

C Height - 1315

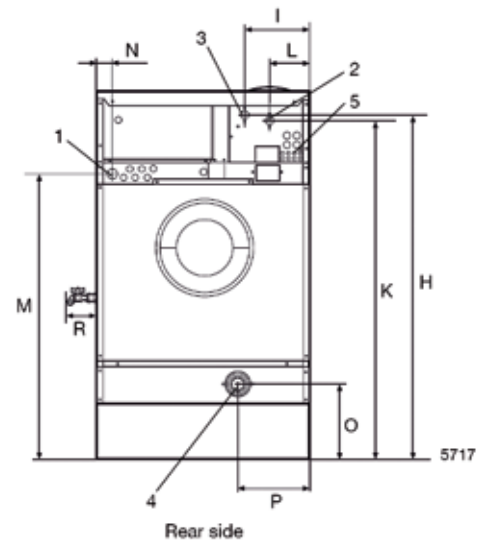
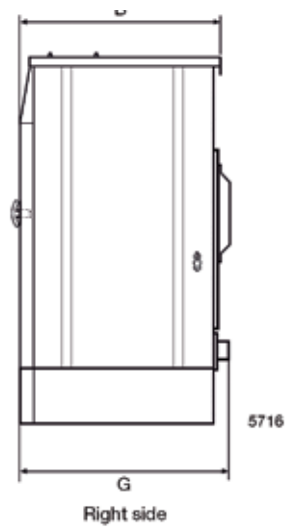
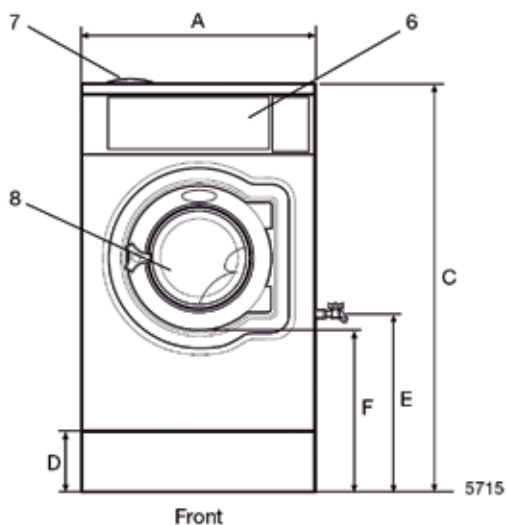
D - 200, E - 750, F - 555, G - 720, H - 1230, I - 220, K - 1010,

L - 135, M - 825, N - 45, O - 100, P - 240, R - 135

1 Electrical connection, 2 Cold water, 3 Hot water, 4 Drain,

5 Liquid supply connections, 6 Control panel, 7 Soap box,

8 Door opening \varnothing 310



Function / subsystem

Ambient conditions

The machine shall be able to function during the same ambient conditions as normal washing machines. However the functional values with tolerances will only be valid if following ambient conditions are kept.

Voltage - nominal +/- 2%

Frequency - nominal +/- 2%

Water hardness - (2,5 +/- 0,2) mmol/l

Inlet water - cold (15 +/- 2) °C - hot max (60 +/- 2) °C

Water pressure - (240 +/- 50) kPa

Ambient temperature (20 +/- 5) °C

Inner drum

Diameter - (520 +/- 1) mm

Depth - (315 +/- 1) mm

Volume - 61 l

Lifting vanes - Number 3

Height - 53 mm

Radius - 17 mm

Base width - 65 mm

Perforation - Diameter 5 mm

Depth of countersink - 2,5 mm

Total hole area - 600 mm²

Material - stainless steel 2333 (SS 18/8)

Outer drum

Diameter - 554 mm

Sump - ~ (1300 +/- 25) ml

Material - stainless steel 2333 (SS 18/8)

Door opening

Opening diameter - 310 mm

Cabinet

Stainless steel 2333 (SS 18/8)

Drum speed

Washing speed - programmable (20 - 60 +/- 1) RPM

Extraction - programmable (200 - 1200 +/- 20) RPM

Reversing rhythm

Programmable (0 - 250 +/- 0,1) = sec (tolerance area refers to timer intervals)

Water level

Weight sensing

Repeatability - +/- 0,1 kg/bath

Stepsize - ≤ 0,5 kg

Dosing accuracy weight control - ≤ 0,5 kg/bath

Level sensing

Repeatability - +/- 5 mm

Stepsize - ≤ 2 mm

Dosing accuracy level control - ≤ litre/bath

Thermostat

Continuous variable in each wash sequence - yes

Selectable interval - (4 - 97) °C

Programming steps - 1 °C

Switch off temp. accuracy in interval 30-97 °C - +/- 1°C

Interval switch off temperature – switch on temperature ≤ 4 °C

Soap box

Number of compartments - 4

Number of programmable liquid detergents - 4

Wash programs

Fully programmable wash programs - Clarus

Memory cards for - IEC 60456, ISO 6330, M&S

Approvals

The machine shall have same approvals as normal washing machines - CE, cETLus

Special equipment

Manual cock for sampling of bath water on right side

Connection for temperature recording sensor in rear gable

Possibility to connect lint trap

Memory card with copy safe programs for M&S and (IEC; ISO)

Procedure for calibration of the machine according to ISO 9000 rules

Possibility to take out test pieces from wash bath during the wash

Analog output from load cells to data acquisition

Pre-programmed wash programs

The Clarus control in the FOM71 CLS contains 9 pre-programmed "wash programs". They are not real wash programs but are mainly designated for checking purposes. The stored programs are:

991 Start-up Programme - Flushes the machine with water. Shall be used if the machine has been idle for more than 2 hours.

992 Level check - Checking of the level. With ruler inside the machine fills to 100 mm, 130 mm, 160 mm, and 200 mm.

993 Weight check - Machine fills water to 18kg and to 26kg.

994 Temperature check - Check of the temperatures at 25 °C, 40 °C, 60 °C and 90 °C 2 minutes at each temperature.

995 Extraction - 500 RPM 1 min.

996 Extraction - 500 RPM 5 min.

997 Extraction - 775 RPM 2 min.

998 Extraction - 950 RPM 4 min.

999 Extraction - 1100 RPM 5 min.